



Griffco Valve Inc.
6010 N. Bailey Ave. Suite. 1B
Amherst, NY 14226
PH: 716 835-0891
FAX: 716 835-0893

G-SERIES BACK PRESSURE VALVES



Griffco G-Series diaphragm back pressure valves are designed to enhance the performance of chemical feed systems by applying a continuous back pressure to the chemical feed pump, while also acting as an anti-siphon valve. Robust construction ensures reliability in the rigorous service of municipal and industrial applications. Wetted materials include: **PVC, CPVC, PP, PVDF, PTFE, 316 SS, A20 and Hast. C.** Available sizes: 1/2" - 4".

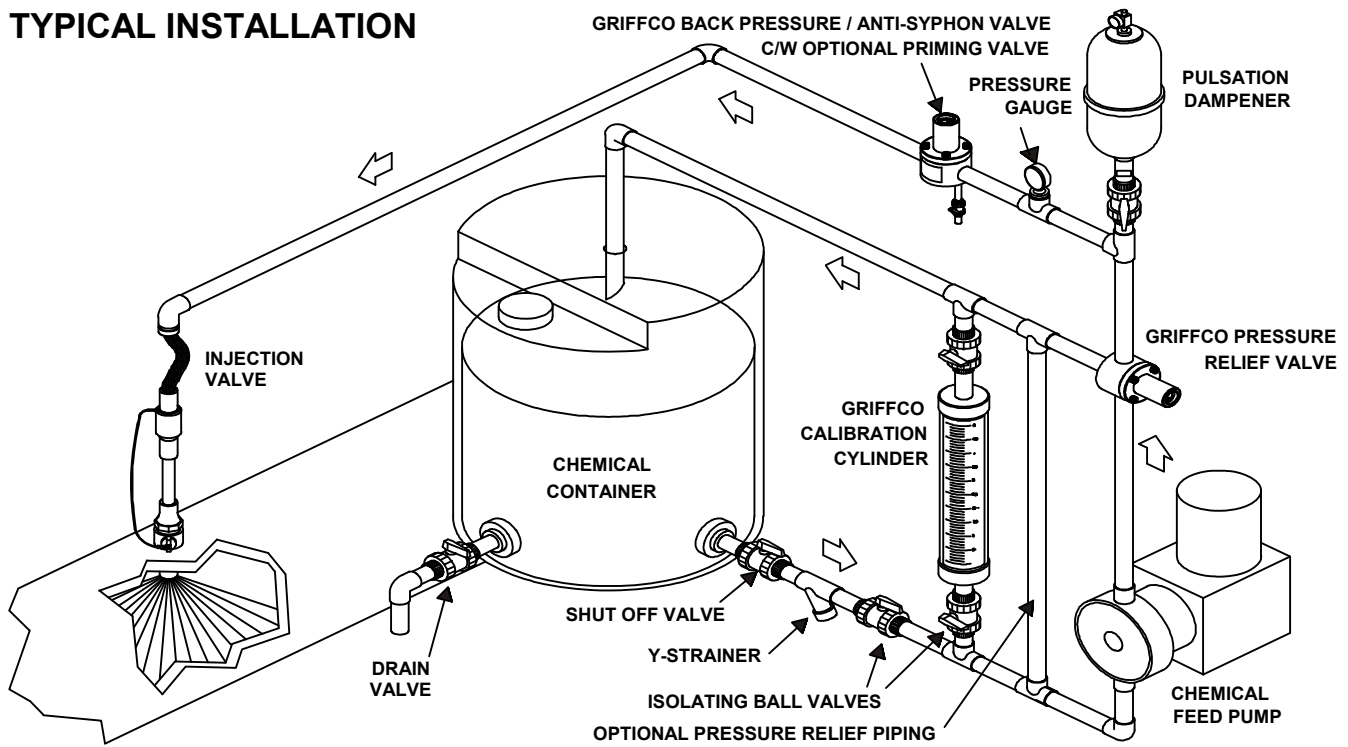
Features:

- High Reliability / Low Cost
- Vulcanised PTFE/EPDM Diaphragm
- Adjustable 0 - 250 PSI*
- Optional 350 PSI Rated Valve
- Anti-Siphon Function
- Robust, Machined Construction
- Tamper Resistant Adjustment Screw
- Wide Range of Materials

Operation:

Griffco diaphragm back pressure valves apply positive discharge pressure to a metering pump system to prevent siphoning and eliminate varying dosage rates caused by fluctuating downstream pressure. The diaphragm is held against the valve seat by an internal spring. When the preset pressure is exceeded, the diaphragm is forced up and chemical flows through the valve to the injection point. The valves are preset for 50 psi, however they are field adjustable from 0 - 250 psi via the adjustment screw. Installation should be as close to the injection point as possible to prevent chemical line drainage, and it is most important that all chemical system equipment such as pulsation dampeners and pressure gauges are between the pump and back pressure valve.

TYPICAL INSTALLATION



CALL 1 - 800 - GRIFFCO

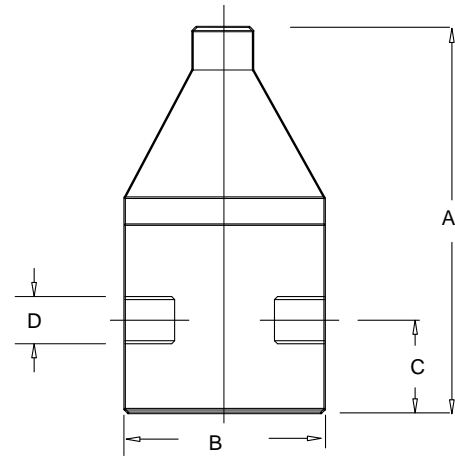
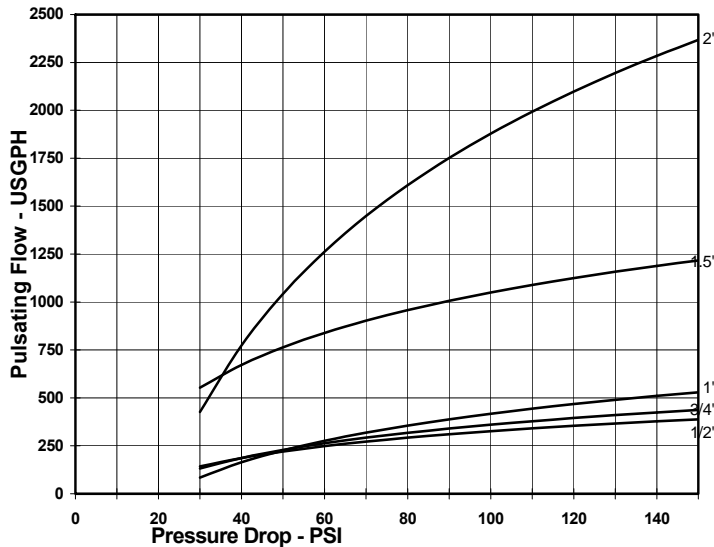
Bulletin # BPG1003-2008R4

Technical Data:

| | | | | | |
|--|------------------|-------------------|--|----------------------------|--------------------------|
| Model BPG Sizes: | | | 1/2", 3/4", 1", 1 1/2", 2", 3", 4" | | |
| Connections: | | | NPT, Socket, Union, Flange | | |
| Pressure Adjustment | | | 0 - 50 psi, 10 - 150 psi, 10 - 250 psi, 50 - 350 psi (option on Metal Valves) *Note: Size 1 1/2" and Larger BPG valves 10 - 150 psi Max range ONLY. | | |
| Flow Rates @ 150 psi | | | Shipping Weight: lbs | | |
| Size | Pulsating | Continuous | Plastic | Metal / Plastic Top | Metal / Metal Top |
| 1/2" | 300 USgph | 21 USgpm | 3.0 | 5.5 | 6.5 |
| 3/4" | 300 USgph | 21 USgpm | 3.0 | 5.5 | 6.5 |
| 1" | 500 USgph | 26 USgpm | 3.5 | 6.0 | 7.0 |
| 1 1/2" | 1200 USgph | 63 USgpm | 9.0 | 18.5 | 26.0 |
| 2" | 2350 USgph | 120 USgpm | 9.0 | 20.0 | 30.0 |
| 3" | 5200 USgph | 270 USgpm | 28.0 | | |
| 4" | 5200 USgph | 270 USgpm | 30.0 | | |
| Max Temperature: (°F) | | | PVC: 140° ; CPVC & PP: 195°; PTFE, PVDF & Metal: 300°, (Peak 390°) | | |
| Max Operating Pressure(psi) @ 70 Deg. F | | | Plastic/Noryl: 375 psi | | Metal/Metal: 2000 psi |
| Materials of Construction: | | | | | |
| Diaphragm | | | PTFE / EPDM, Optional: Viton & PTFE / Viton | | |
| Valve Top | | | Standard: 1/2" - 2" Noryl 3" & 4" PVC Optional: 316 SS | | |
| Valve Body | | | PVC, CPVC, PP, PTFE, PVDF, 316 SS, A 20, Hast. C, Others on Request | | |

Performance Curves: (3" & 4" on request)

Dimensions: (inches)



Product Codes For Ordering Back Pressure Valves:

BPG
 1 2 3

1 = Size

050 - 1/2"
 075 - 3/4"
 100 - 1"
 155 - 1 1/2"
 200 - 2"
 300 - 3"
 400 - 4"

2 = Material

P - PVC
 CP - CPVC
 PP - Polypro
 T - PTFE
 K - PVDF
 S - 316 SS
 A - Alloy 20
 C - Hastalloy C

3 = Options

V - Viton Diaphragm
 S - Socket Connections
 F - Flanged Connections
 U = Union Connections
 B= BSP Tread Connection
 OSS - Optional 316 SS Top
 MSS - 50 - 350 psi; 316 SS Top
 AR - Optional Air Release Port

| D | A | B | C |
|------------|------|------|------|
| 1/2" | 5.60 | 3.50 | 1.10 |
| 3/4" | 5.60 | 3.50 | 1.10 |
| 1" | 5.90 | 3.50 | 1.25 |
| 1 1/2" | 8.35 | 4.90 | 2.10 |
| 2" | 8.95 | 4.90 | 2.10 |
| 3" flanged | 12.0 | 15.0 | 3.0 |
| 4" flanged | 12.0 | 15.0 | 3.0 |