



Griffco Valve Inc.
6010 N. Bailey Ave., Suite 1B
Amherst, NY 14226
Phone: 1 716 835-0891
Fax: 1 716 835-0893

G-Series Instruction Manual

**Back Pressure Valves
Pressure Relief Valves**

Call: 1 - 800 - GRIFFCO

Website: www.griffcovalve.com

INSG-2002-R0408 Revision Date: 06/23/09

INTRODUCTION



GRIFFCO diaphragm back pressure valves are used to enhance the performance of chemical feed pumps and systems by providing a constant discharge head pressure. These valves also function as an anti-siphon valve. The diaphragm is held against the seat by the internal spring. Back pressure is adjustable from 10 - 150 psi via the adjustment screw. When the inlet pressure exceeds the preset pressure the diaphragm lifts off the seat and the chemical flows to the injection point. After each discharge stroke of the pump, as the pressure drops, the diaphragm reseats itself.

GRIFFCO diaphragm pressure relief valves are designed to protect chemical feed pumps and systems from overpressure caused by defective equipment or blockages in the chemical line. The 3 port design allows chemical to flow through the valve via an internal chamber. When the pressure in the chemical line exceeds the preset pressure of the valve the diaphragm lifts off the seat and the chemical then flows out the bottom port back to the chemical tank. Relief pressure is adjustable via the adjustment screw in the top of the valve.

Back Pressure Valve:

Generally, the back pressure valve can be installed anywhere in the discharge line, provided there is some downstream pressure at the dosage point. If there is no downstream pressure the back pressure valve should be installed at the dosage point to prevent siphoning and drainage of the chemical line. The valve can be installed either vertically or horizontally. All **GRIFFCO** valves are factory set at 50 psi, unless otherwise specified. Field adjustment is possible with the adjustment screw.

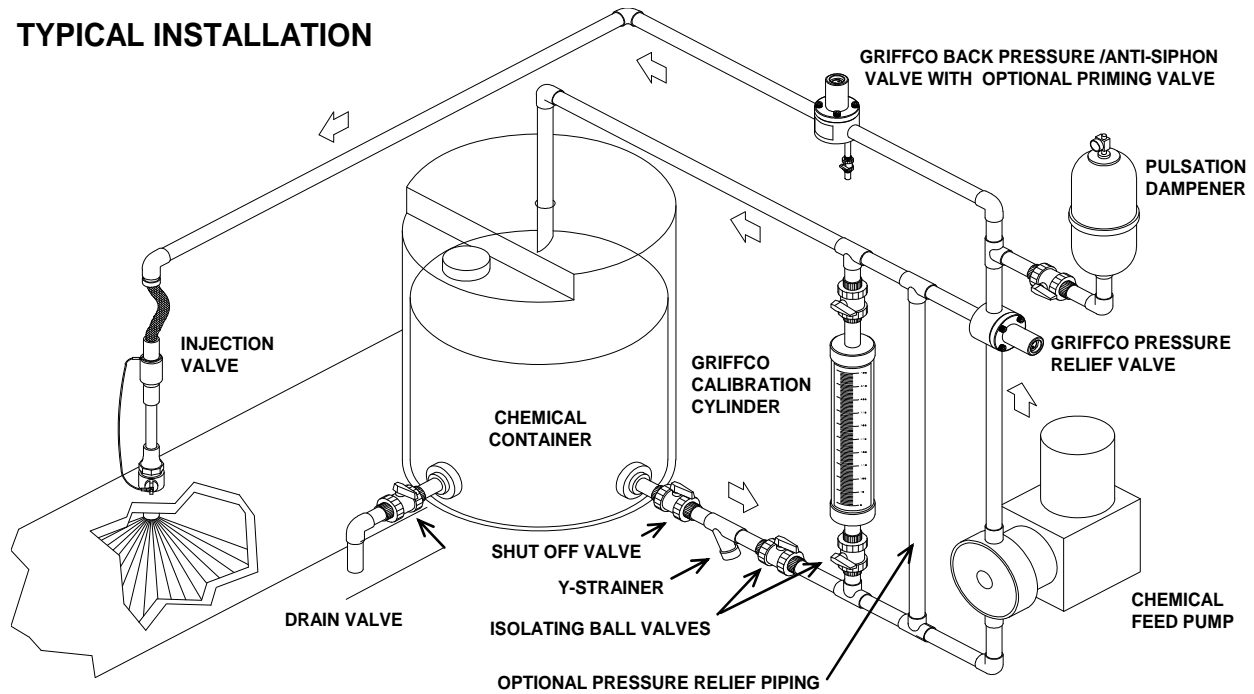
Back pressure valve performance will be enhanced with the installation of a pulsation dampener to smooth out the discharge / suction cycles of the pump. Thus, the diaphragm is free to float inside the valve chamber, minimizing the wear on the stress points of the diaphragm. Pulsation dampeners will also reduce the pressure drop across the valve by reducing peak flows. Backpressure valves should be installed downstream of the dampener. For most applications diaphragm type dampeners are required. Generally speaking 5 to 10% dampening is sufficient. Consult with your pump manufacturer to get his recommendations.

Pressure Relief Valve:

Installation should be made as close to the chemical pump discharge valve as possible, without any equipment, especially shut-off valves, between the valve and the pump. Direction of flow must be across the valve, however the side of entry is not important. The valve can be installed either vertically or horizontally. All **GRIFFCO** valves are factory set at 50 psi, however field adjustment is possible with the adjustment screw.

The optimum installation for the relief valve is to vent the relief port back to the chemical tank, or directly to a containment area. However if this is not possible, the relief port can be piped back into the suction side of the pump. This will apply the suction head to the relief port. To compensate, divide the NPSH by 4 and add this pressure to the relief valve setting. Do not put a shut off valve in the relief line.

TYPICAL INSTALLATION



MAINTENANCE:

The pressure relief and back pressure valves were designed with minimizing the amount of maintenance required to keep the valves in operation. However, periodic replacement of the diaphragm is required. A parts kit can be purchased from your local Griffco Valve distributor. To facilitate inspection and replacement, the valve layout is such that removal of the diaphragm can be done without taking the valve out of the chemical line.

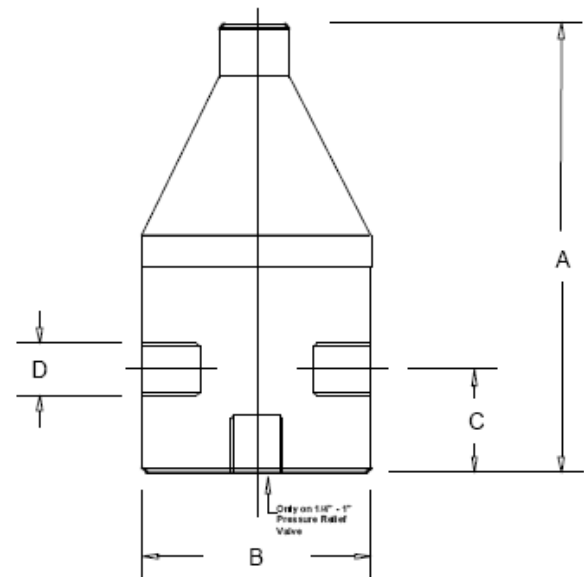
Caution: Ensure the system is not under pressure and that the chemical lines are flushed with water before disassembly.

Unscrew the pressure adjustment screw to remove the pressure from the diaphragm. Remove the 4 bolts and lift off the valve top.

After the diaphragm and the valve seat have been inspected and replaced if necessary, (White PTFE side down), check the adjustment spring. Make sure there is no rust or corrosion. Place the support disc the spring onto the valve body and slide the top back over the four bolts.

Tighten the 4 bolts, and then replace the adjustment screw. Turn the adjustment screw clockwise to approximately the same position as it was prior to disassembly. If an exact pressure setting is required or a different pressure is desired a pressure gauge should be used to verify the setting. Turning the adjustment screw clockwise will increase pressure.

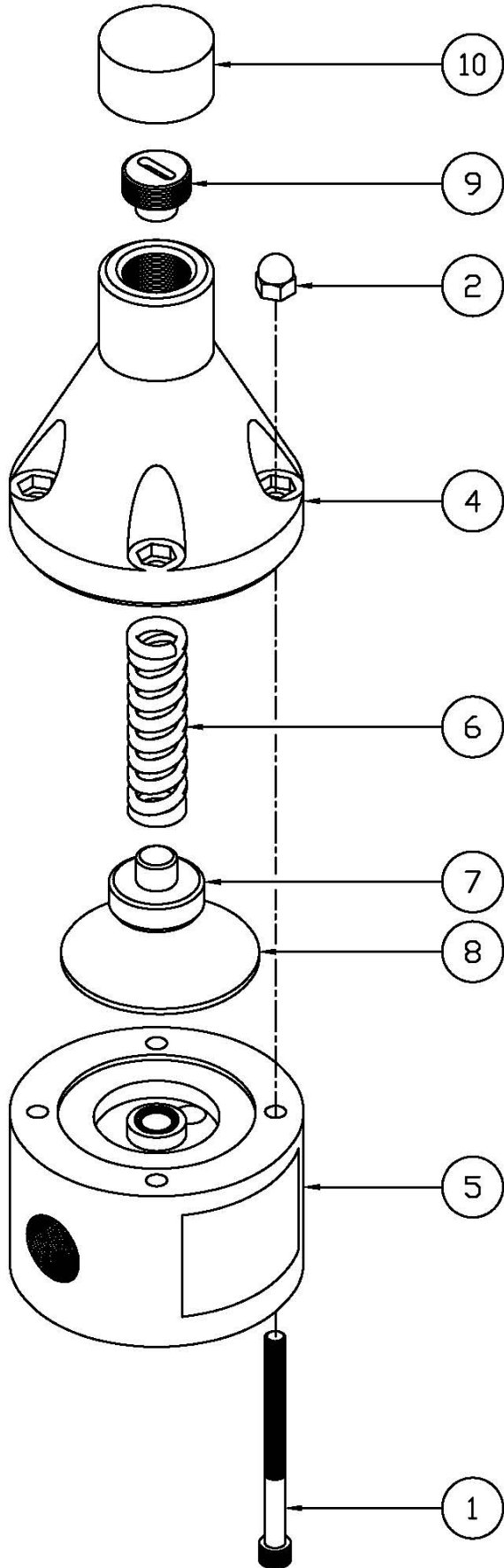
DIMENSIONS:



D	A (in)	B (in)	C (in)
1/2"	5.56	3.50	1.125
3/4"	5.56	3.50	1.125
1"	5.86	3.50	1.250
1 1/2"	8.35	4.90	1.825
2"	8.90	4.90	2.15

Warranty: GRIFFCO Valve, Inc. warrants its products against defects in workmanship and materials for one year under normal use or 18 months from date of shipment whichever occurs first. All obligations and liabilities under this warranty are limited to repair or replacement (at our option), FOB our plant such allegedly defective units as are returned to our factory transport prepaid. Repairs or replacements are made subject to inspection of returned items. This warranty does not extend to damage by corrosion or erosion. The materials of construction offered are recommendations subject in all cases to acceptance by the customer. These recommendations, based on previous experience and best available information, do not constitute guarantees against wear or chemical action. Expressly excluded from this warranty are defects caused by misuse, abuse or improper application, installation or operation of the unit. No liability for consequential damages or reinstallation labor is accepted. GRIFFCO Valve, Inc. will not assume responsibility for contingent liability for alleged failure of its products.

PARTS LIST



ITEM	DESCRIPTION	PART #	
1	1/4 - 20 X 2 3/4" Bolt - 1/2 - 1" Plastic Valves	PV-00101	
	5/16 - 18 X 1 1/2" Bolt - 1 1/2" - 2" Metal Valves	PV-00102	
	1/4 - 20 X 4.5" - 1 1/2" Plastic Valves (5" OD Body)	PV-00104	
	1/4 - 20 X 5" Bolt - 1 1/2" (OBS 4.5" OD); & 2" Plastic Valves (5" OD)	PV-00105	
	1/4 - 20 X 1 1/4" Bolt - 1/2 - 1" Metal Valves	PV-00108	
2	1/4 - 20 Cap hex nut	PV-00202	
3	1/4 Flat Washer (Required with 316 SS Top)	PV-00302	
	5/16 Flat washer (Required with 316 SS Top)	PV-00303	
4	1/2" - 1" Valve Top - Noryl, Black	PV-004451	
	1/2" - 1" Valve Top - Noryl, Orange	PV-004452	
	1/2" - 1" Valve Top - Noryl, Yellow	PV-004053	
	1/2" - 1" Valve Top - Noryl, Green	PV-004054	
	1/2" - 1" Valve Top - Noryl, Grey	PV-004450	
	1/2" - 1" Valve Top - 316 SS	PV-00407	
	1 1/2" Valve Top; 4 1/2" Valves, PVC	PRV-00411	
	1 1/2" Valve Top; 4 1/2" Valves, 316 SS	PV-00413	
	2" Valve Top; 5" Valves, PVC	PV-00414	
	2" Valve Top; 5" Valves, 316 SS	PV-00416	
		BPV #	PRV #
5	1/2" Valve Body PVC	BPV-00511	PRV-00511
	1/2" Valve Body PP	BPV-00512	PRV-00512
	1/2" Valve Body PTFE	BPV-00513	PRV-00513
	1/2" Valve Body PVDF	BPV-00514	PRV-00514
	1/2" Valve Body 316 SS	BPV-00515	PRV-00515
	1/2" Valve Body Alloy 20	BPV-00516	PRV-00516
	1/2" Valve Body Hast C	BPV-00517	PRV-00517
	1/2" Valve Body CPVC	BPV-00518	PRV-00518
	3/4" Valve Body PVC	BPV-00521	PRV-00521
	3/4" Valve Body PP	BPV-00522	PRV-00522
	3/4" Valve Body PTFE	BPV-00523	PRV-00523
	3/4" Valve Body PVDF	BPV-00524	PRV-00524
	3/4" Valve Body 316 SS	BPV-00525	PRV-00525
	3/4" Valve Body Alloy 20	BPV-00526	PRV-00526
	3/4" Valve Body Hast C	BPV-00527	PRV-00527
	3/4" Valve Body CPVC	BPV-00528	PRV-00528
	1" Valve Body PVC	BPV-00531	PRV-00531
	1" Valve Body PP	BPV-00532	PRV-00532
	1" Valve Body PTFE	BPV-00533	PRV-00533
	1" Valve Body PVDF	BPV-00534	PRV-00534
	1" Valve Body 316 SS	BPV-00535	PRV-00535
	1" Valve Body Alloy 20	BPV-00536	PRV-00536
	1" Valve Body Hast C	BPV-00537	PRV-00537
	1" Valve Body CPVC	BPV-00538	PRV-00538
	1 1/2" Valve Body PVC (5" OD)	BPV-00541	PRV-00541
	1 1/2" Valve Body PP (5" OD)	BPV-00542	PRV-00542
	1 1/2" Valve Body PTFE (5" OD)	BPV-00543	PRV-00543
	1 1/2" Valve Body PVDF (5" OD)	BPV-00544	PRV-00544
	1 1/2" Valve Body 316 SS (5" OD)	BPV-00545	PRV-00545
	1 1/2" Valve Body Alloy 20 (5" OD)	BPV-00546	PRV-00546
	1 1/2" Valve Body Hast C (5" OD)	BPV-00547	PRV-00547
	1 1/2" Valve Body CPVC (5" OD)	BPV-00548	PRV-00548
	2" Valve Body PVC	BPV-00551	PRV-00551
	2" Valve Body PP	BPV-00552	PRV-00552
2" Valve Body PTFE	BPV-00553	PRV-00553	
2" Valve Body PVDF	BPV-00554	PRV-00554	
2" Valve Body 316 SS	BPV-00555	PRV-00555	
2" Valve Body Alloy 20	BPV-00556	PRV-00556	
2" Valve Body Hast C	BPV-00557	PRV-00557	
2" Valve Body CPVC	BPV-00558	PRV-00558	
6	Pressure Spring - 1/2" - 1" Valve; 150 psi	PV-00602	
	Pressure Spring - 1/2" - 1" Valve; 50 psi	PV-00601	
	Pressure Spring - 1/2" - 1" Valve; 250 psi	PV-00603	
	Pressure Spring - 1/2" - 1" Valve; 350 psi	PV-006122	
	Pressure Spring - 1/2" - 1" Valve; 100 psi, 316 SS	PV-00602S	
	Pressure Spring - 1 1/2" - 2" Valve; 150 psi	PV-00603	
	Pressure Spring - 1 1/2" - 2" Valve; 350 psi	PV006031	
Pressure Spring - 1 1/2" - 2" Valve; 50 psi	PV006033		
7	Support Disc - 1/2 - 1" Valve, PVC	PV-00705	
	Support Disc - 1/2 - 1" Valve, 316 SS	PV-00706	
	Support Disc - 1 1/2" - 2" Valve, PVC	PV-00708	
	Support Disc - 1 1/2" - 2" Valve, 316 SS	PV-00709	
8	Diaphragm - 1/2" - 1" Valve - PTFE / EPDM	PV-00810	
	Diaphragm - 1/2" - 1" Valve - Viton	PV-00812	
	Diaphragm - 1/2" - 1" Valve - PTFE / Viton (High Temperature)	PV-00813	
	Diaphragm - 1 1/2" Valve - PTFE / EPDM (OBS 4.5" OD Body)	PV-00820	
	Diaphragm - 1 1/2" Valve - Viton (OBS 4.5" OD Body)	PV-00821	
	Diaphragm - 1 1/2" Valve - PTFE/Viton (OBS 4.5" OD Body)	PV-00822	
	Diaphragm - 1 1/2" - 2" Valve - PTFE/EPDM (5" OD Body)	PV-00830	
Diaphragm - 1 1/2" - 2" Valve - Viton (5" OD Body)	PV-00831		
9	Adjustment Screw - 1/2" - 1" Valve PET (white)	PV-00906	
	Adjustment Screw - 1/2" - 1" Valve Coated Steel	PV-00903	
	Adjustment Screw - 1 1/2" - 2" Valve PVC	PV-00920	
	Adjustment Screw - 1 1/2" - 2" Valve Coated Steel	PV-00921	
10	Protective Vinyl Cap - 1/4" - 1" Valves	PV-01001	
	Protective Vinyl Cap - 1 1/2" - 2" Valves	PV-01002	