



Griffco Valve Inc.
6010 N. Bailey Ave, Ste 1B
Amherst, NY 14226
Phone: 1 716 835-0891
Fax: 1 716 835-0893

HIGH FLOW SERIES PRESSURE RELIEF VALVES



Griffco high flow diaphragm pressure relief valves are designed to protect chemical transfer systems from over pressure damage caused by defective equipment or a blockage in the chemical line. Large orifice sizes facilitate high flows and high viscosity. Wetted materials include **PVC, CPVC, PP, PVDF, PTFE, 316SS, A20 and Hast. C.** Available sizes: 1/2", 3/4, and 1".

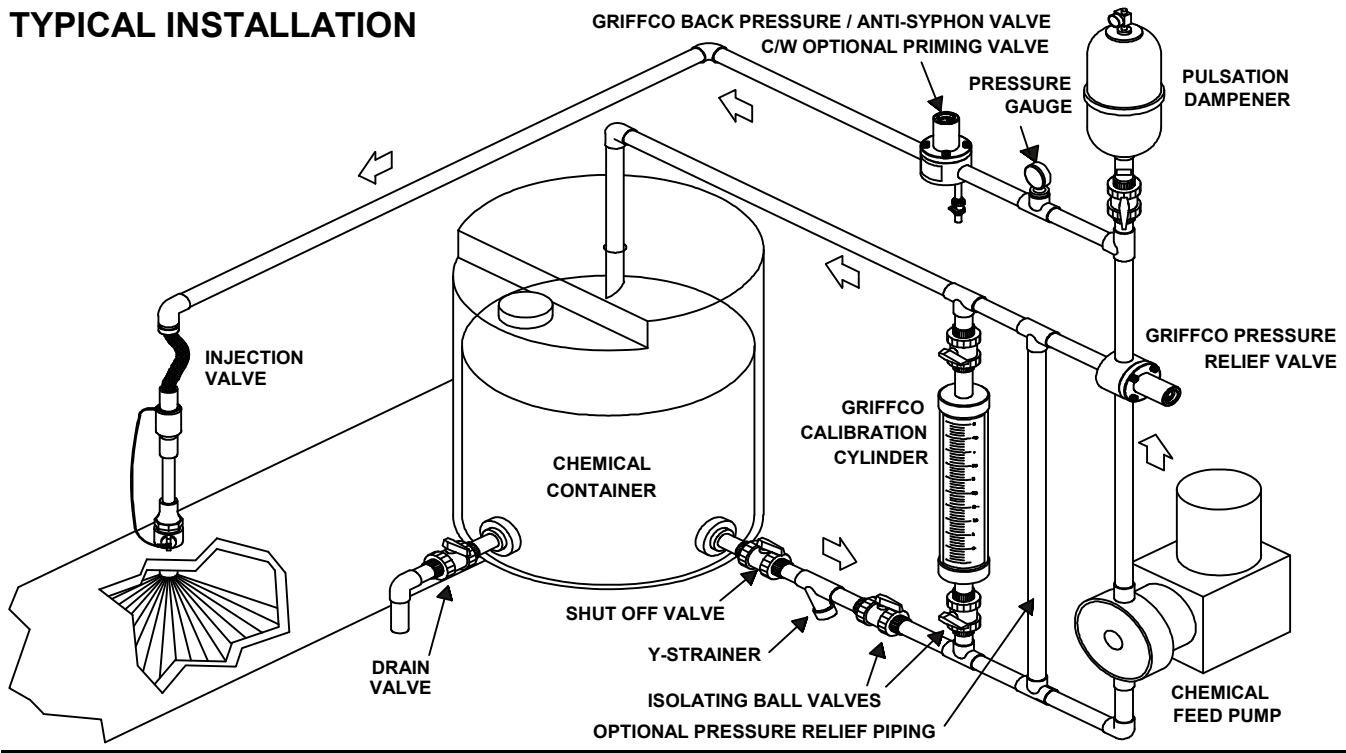
Features:

- High Reliability / Low Cost
- Large Orifice for High Viscosity Fluids
- Higher Flow / Lower Pressure Drop
- Adjustable 10 - 150 PSI
- Ventable to Suction Line
- 2 Port Design
- Vulcanised PTFE/EPDM Diaphragm
- Wide Range of Materials

Operation:

Griffco diaphragm pressure relief valves operate when the pressure in a chemical line exceeds the pre-set pressure of the valve. The diaphragm is held against the valve seat by an internal spring. When the pre-set pressure is exceeded the diaphragm is forced up and the chemical flows out the relief port, back to the chemical tank or to the suction side of the pump. The valves are pre-set at 50 psi, however they are field adjustable from 10 - 150 psi, (optional 350 psi) via the adjustment screw. The relief valve should be set approximately 15 psi higher than the system pressure. Installation should be made as close to the pump as possible, without any valves or accessories between the relief valve and the pump. Consult your pump manufacturer for his recommendations.

TYPICAL INSTALLATION



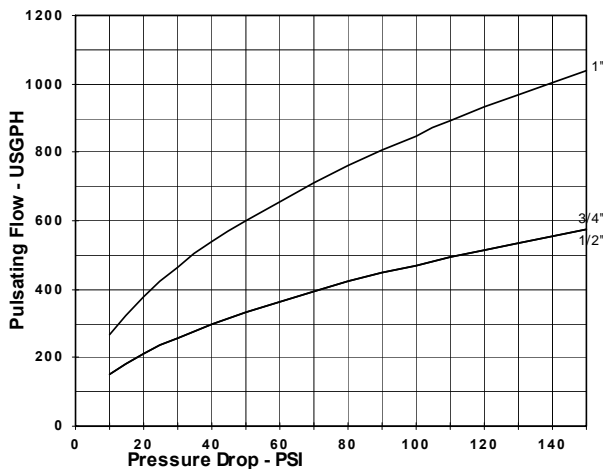
CALL 1 - 800 - GRIFFCO

Bulletin # PRHF1005-2008R1

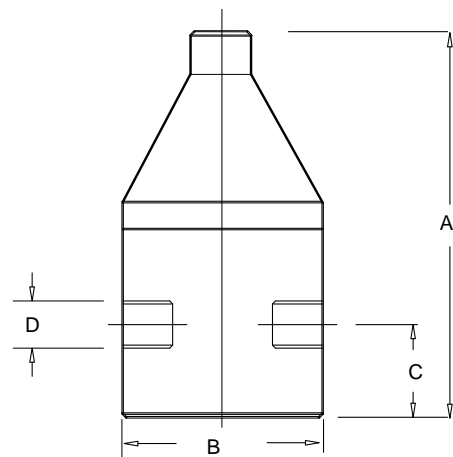
Technical Data:

Sizes: Model PRHF		1/2", 3/4", 1"			
Connections:		NPT, Socket, Union, & Flange			
Pressure Adjustment		10 - 50 psi, 10 - 150 psi			
Flow Rates @ 150 psi		Shipping Weight: lbs			
Size	Pulsating	Continuous	Plastic	Metal / Plastic Top	Metal / Metal Top
1/2"	600 USgph	30 USgpm	3.5	6.0	7.0
3/4"	600 USgph	30 USgpm	3.5	6.0	7.0
1"	1000 USgph	54 USgpm	7.0	14.0	23.0
Max Temperature: (°F)		PVC, PP: 140°; CPVC: 190°; PTFE, PVDF & Metal: 300°, (Peak 390°)			
Materials of Construction:					
Diaphragm		PTFE / EPDM, Optional: Viton & PTFE / Viton			
Valve Top		Standard: Noryl Optional: 316 SS			
Valve Body		PVC, CPVC, PP, PTFE, PVDF, 316 SS, A 20, Hast. C, Others on Request			

Performance Curves



Dimensions:



Product Codes For Ordering:

PRHF
1 **2** **3**

1 = Size

050 - 1/2"
 075 - 3/4"
 100 - 1"

2 = Material

P - PVC
 CP - CPVC
 PP - Polypro
 T - PTFE
 K - PVDF
 S - 316 SS
 A - Alloy 20
 C - Hastalloy C

3 = Options

V - Viton Diaphragm
 S - Socket Connections
 F - Flanged Connections
 U - Union Connections
 B - BSP Tread Connections
 OSS - Optional 316 SS Top
 MSS - 50 - 350 psi; 316 SS Top

D	A	B	C
1/2"	5.90	3.50	1.25
3/4"	5.90	3.50	1.25
1" Plastic	7.30	4.50	1.28
1" Metal	7.56	4.90	1.28