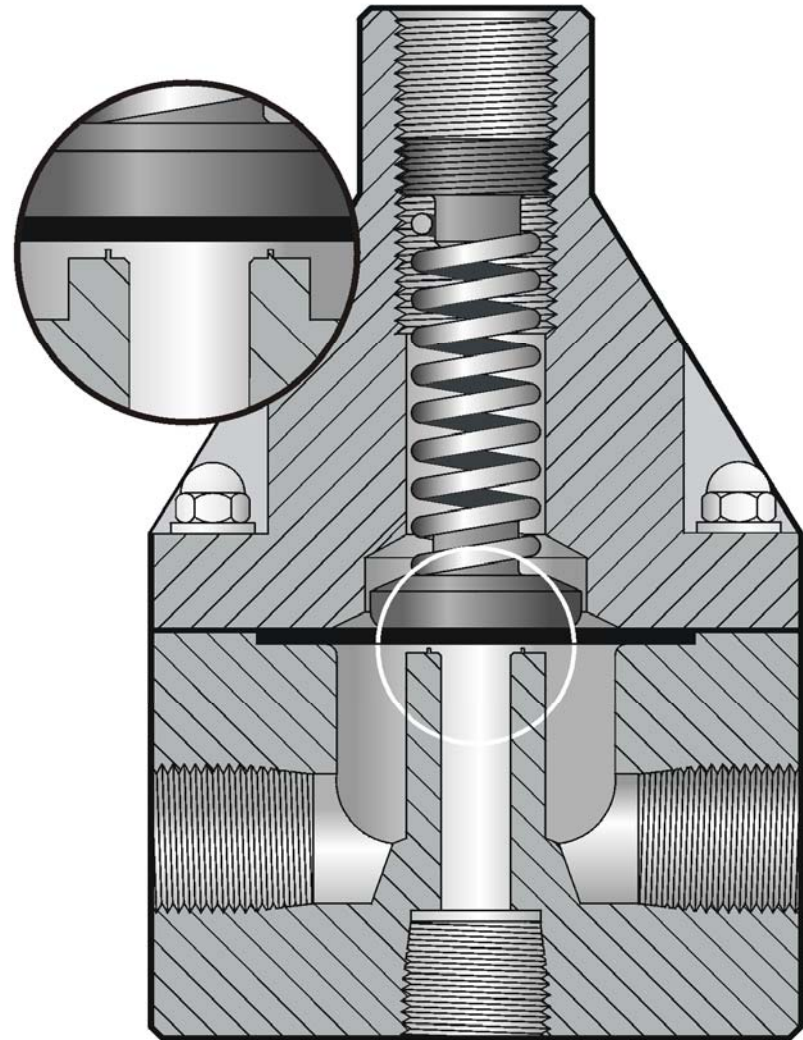


Back Pressure Valve



Pressure Relief Valve



Griffco Valve Inc.
 6010 N. Bailey Ave., Suite 1B
 Amherst, NY 14226
 Phone: 1 716 835-0891
 Fax: 1 716 835-0893

**G-Series - Sectional Drawing
 Back Pressure & Pressure Relief Valve**